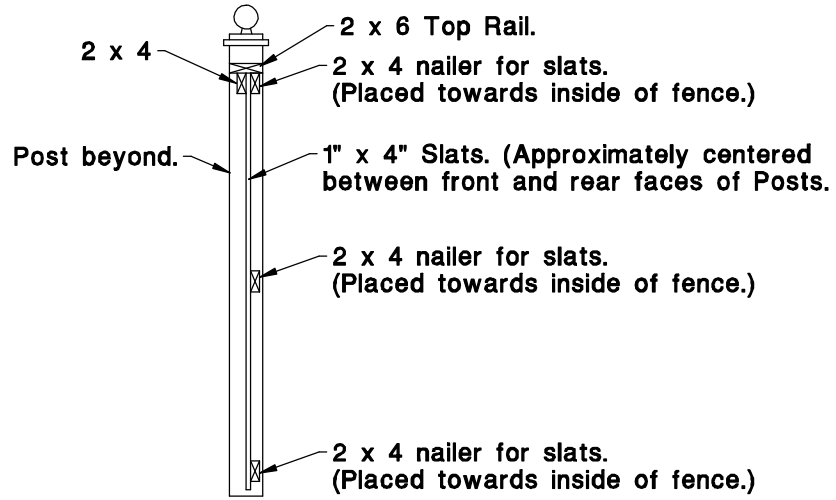
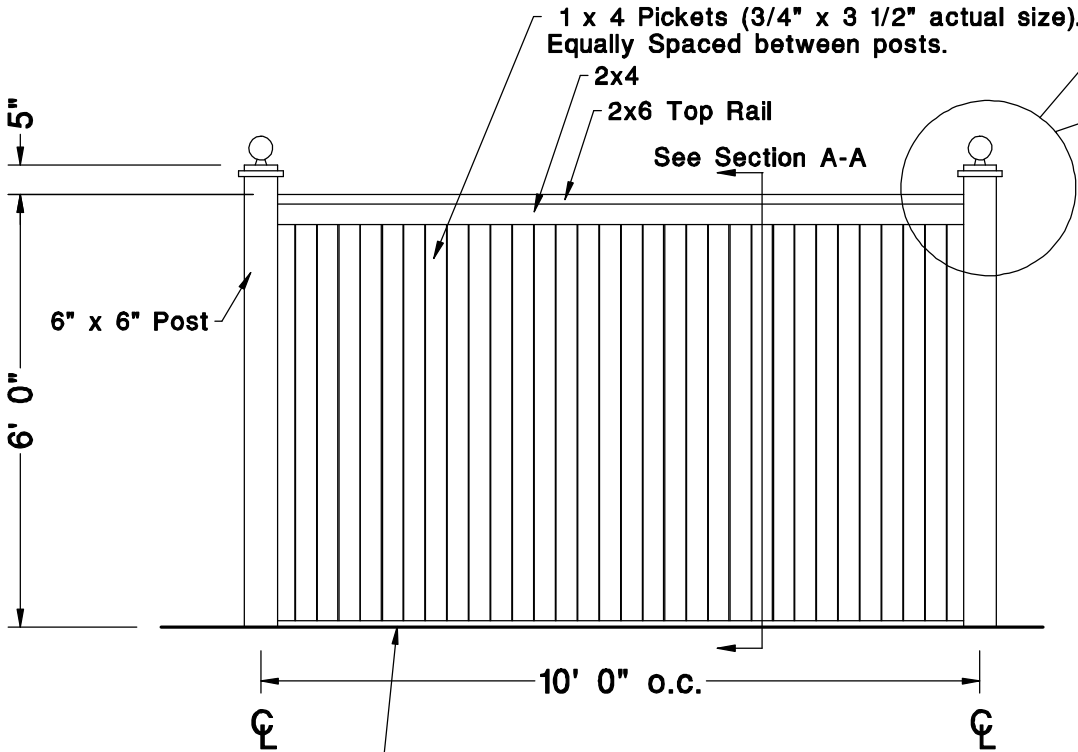
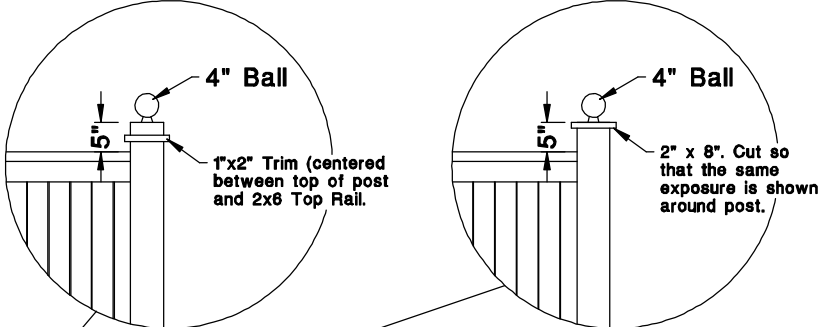


Either of the fence post tops are acceptable.



**Section A-A**

Approximate Grade. Leave gap between slats and ground for water passage.